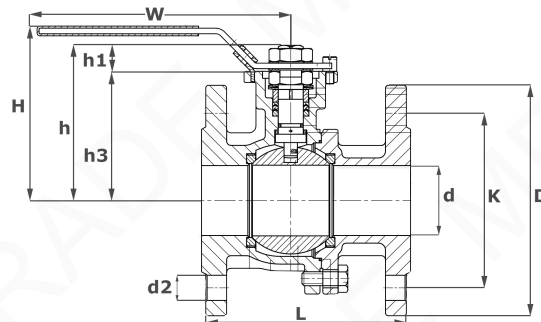


Stainless steel 2-pc ball valve flanged end DIN
Full bore
DIN 3202/ EN 558-1 series 27
Mounting pad acc. ISO 5211

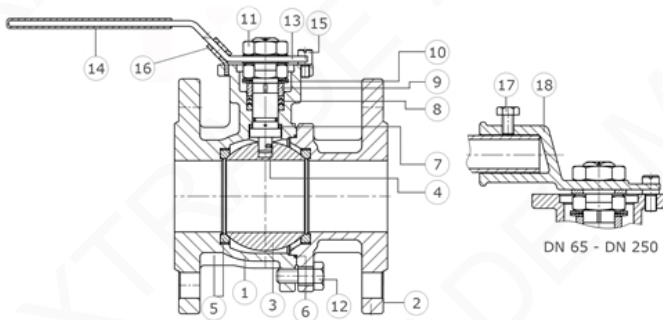


technical product sheet

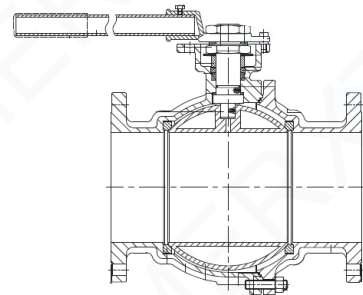
DN	Size	Typ	L	H	h	h3	h1	W	D	d
15	1/2"	F4	115	84,5	64,0	55,0	9	83,5	95	15
20	3/4"	F4	120	92,5	77,5	66,5	11	83,5	105	20
25	1"	F4	125	102,1	77,5	66,5	11	104,5	115	25
32	1.1/4"	F4	130	106,1	85,0	74,0	11	104,5	140	32
40	1.1/2"	F4	140	121,4	100,5	85,5	15	130,0	150	38
50	2"	F4	150	128,4	107,5	92,5	15	130,0	165	50
65	2.1/2"	F4	170	155,6	131,0	113,0	18	344,0	185	63
80	3"	F4	180	167,0	142,5	124,5	18	344,0	200	76
100	4"	F4	190	186,0	165,5	142,5	23	392,0	220	96
125	5"	F5	325	232,0	208,0	180,0	28	756,0	250	125
150	6"	F5	350	253,0	229,0	201,0	28	756,0	285	150
200	8"	F5	400	320,5	295,0	259,0	36	840,0	340	200
250	10"	F5	450	355,0	331,0	295,0	36	1040,0	405	250

Full description:

2-pc ball valve flanged end full bore
DIN 3202/ EN 558-1 series 27
Mounting pad acc. ISO 5211
- anti-static-design



DN15~DN50



DN65~DN200

Parts list

No.	Designation	Material
1.	Housing	Stainless steel 1.4408
2.	Connecting flange	Stainless steel 1.4408
3.	Ball	Stainless st 1.4408/ASTM 351-CF8M)
4.	Control shaft	Stainless steel316 ASTM A276-316
5.	Seat seal	RTFE/ TFM 1600
6.	Seal	PTFE
7.	Pressure disk	PTFE
8.	Seat packing	PTFE
9.	Stem packing	Stainless steel AISI 304
10.	Belleville washer	Stainless steel AISI 301
11.	Nut	Stainless steel AISI 304
12.	Thread bolts	Stainless steel AISI 304
13.	Handle	Stainless steel
14.	Hand sleeve	PVC
15.	Stopper-Pin	Stainless steel AISI 304
16.	Locking pad	Stainless steel
17.	Lockin bolt	Stainless steel AISI 304
18.	Handle	Stainless steel AISI 304

(*) 13. = to DN 50 as a sheet metal handle

(**) 18. = > from DN 65 as horizontally adjustable round rod

Flow-rate coefficient / Torque

DN	Cv-value	Nm
15	10	7,5
20	25	7,4
25	35	17,2
32	46	19,6
40	80	22,6
50	110	31,7
65	310	40,2
80	350	85,3
100	720	95,7
125	1200	160,0
150	1580	212,0

Features

- > To DN 100/ 4" - with mounting pad acc. to ISO 5211 for direct actuator mounting
- > From DN 125/ 5" - with mountingpad acc. to ISO 5211

DN	F	V	PN
15	F03-F04	9	16/40
20	F03-F04	9	16/40
25	F04-F05	11	16/40
32	F04-F05	11	16/40
40	F05-F07	14	16/40
50	F05-F07	14	16/40
65	F07-F10	17	16
80	F07-F10	17	16
100	F10-F12	22	16
125	F10-F12	27	16
150	F10-F12	27	16
200	F14	36	16

- > FIRE-SAFE Design
- > Anti-static device
- > Blow-out proof control shaft

